



The Sharpener People

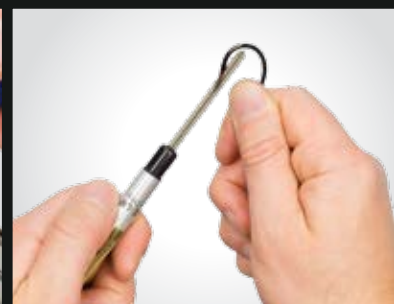
EZE LAP

Diamond Sharpeners

2019

Catalogue

EFFECTIVE 1ST NOVEMBER 2018



Proudly Distributed by:

suttontools
world class cutting tools

EZE LAP Diamond Products



Camping



Farming



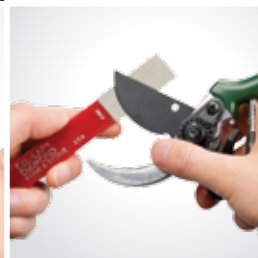
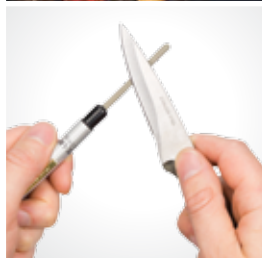
Fishing



Hospitality



Gardening



EZE-LAP Diamond products have been the pioneer and originator of diamond sharpeners since the early 1970's. Our unique diamond process and modern technology allows EZE-LAP to produce the finest quality diamond products for the lowest possible price. The superior process of heat treatment that bonds the highest quality industrial grade diamond particles in a stainless alloy to a precision matched metal substrate has been imitated but has never come close to being duplicated.

The resulting surface integrity from the EZE-LAP process measures about 72 on the Rockwell C hardness scale.

By utilizing our technology, EZE-LAP has created a surface that works on carbide, ceramic, tool steel, hardened materials and newer stainless steels that are utilized by most major knife manufacturers today.

EZE-LAP manufactures a wide variety of diamond products.

This allows the customer to pick and choose the model(s) they believe will best serve their needs. The vast array of diamond sharpeners in the product line include small pocket size flat stones and compact, portable, round diamond sharpeners that are ideally suited for the fisherman, sportsman, or the outdoors person, to the larger diamond bench stones ideal for the workshop.

There are even household and professional size diamond steels for the chef, gourmet, or meat cutter. EZE-LAP manufactures products using five different diamond grits. This wide selection in diamond sizes allows you to match the right diamond surface to your specific sharpening application.

In addition to the flat and round sharpeners, EZE-LAP offers several special use diamond sharpening tools, which include chain saw sharpeners, needle files, flat hand files, and oval sharpeners. EZE-LAP boasts about its quality. We are proud to offer the flattest, most consistent production diamond tools available on the market today. Even after years of satisfaction, EZE-LAP customers are still amazed at the quality and consistency of the finishes that are achieved by the diamond tools.



EZE LAP Diamond Sharpeners



Hone & Stone 4



Pen Style 4



Bench Stone 5



Fixed Angle 6



Chainsaw 6

How To Use 7

Grit Descriptions

EZE-LAP manufactures products using five different diamond grits. This wide selection of diamond grits allows you to match the right diamond surface to your specific sharpening needs.

Grade	Application	Grit	Colour Code
Super Fine - SF	Used to achieve the ultimate finish. This grit is best for providing a finished, polished edge. Ideally suited for woodworking and industrial applications where the finest finish is necessary. Available on all flat products and all oval sharpening steels.	1200	Blue
Fine - F	Our best general purpose grit. We feel that the great majority of your sharpening needs can be performed by our Fine grit. It has the abrasive ability to effectively sharpen a dull knife to a razor edge quickly and easily. The Fine grit is offered on all EZE-LAP products.	600	Red
Medium - M	When you need a surface that will sharpen quickly but can still achieve a high quality finish the medium grit is perfect for you. This grit is great for re establishing an angle on an edge, taking nicks or chips out of an edge, flattening the soles of hand planes, backs of a chisel or on many lawn & garden tools. Also a good choice for flattening water stones.	400	Purple
Coarse - C	For when you need to get the job done quickly and are looking for rapid metal removal. This grit lends itself well for sharpening axes, shovels, garden tools, shop tools and deburring. Can also be used for flattening of water stones. Coarse is available on flat tools only.	250	Black
Extra Coarse - XC	For very fast aggressive metal removal. Great for roughing in or prepping a surface for final finish. Also used for deburring. Extra Coarse is available on flat tools only.	150	Green

Diamond Sharpeners Hone & Stone



Suitable for carbides, carbide table saw blades, router bits, deburring, hunting and fishing knives, axes, woodworking tools.



LF



Strong build
Plastic Polycarbonate handle

Colour coded
For easy grit identification

Slim design pad
3/4" x 2" Diamond for hard to reach places

Application

DIY
Outdoor
Farming
Fishing
Hospitality
Gardening
Woodworking
Metalworking

Size	Description	Grade	Grit	Qty	Item #	Barcode
Hone & Stone						
6" x 3/4"	Fine grit - Red Handle	F	600	1	LF	081819120011
6" x 3/4"	Medium grit - Purple Handle	M	400	1	LM	081819120028
6" x 3/4"	Coarse grit - Black Handle	C	250	1	LC	081819120035

Diamond Sharpeners Pen Style



Stores in a pen type cap.
Clips to pocket, pouch or backpack for easy access in field & workshop.
Suitable for fishing knives, pocket knives, multi-tools, hooks, darts, needles, points, jewellery making.



S



Fine Grit
Great for general purpose use

Pen Lid
Protects Diamond Surface when closed

Groove
For sharpening fish hooks

Pen Clip
Clips to your pocket, pouch or backpack

Application

DIY
Outdoor
Farming
Fishing
Jewellery Making

Size	Description	Grade	Grit	Qty	Item #	Barcode
Pen Type						
5 1/2"	D Shaped Shaft with Groove for Fishhooks	F	600	1	S	081819130010

Diamond Sharpeners Bench Stone



Suitable for hunting and fishing knives, woodworking tools, axes, machetes, lawn and garden tools, kitchen and industrial uses. The stones stay flat and will not dish out or groove. No oil or water is necessary.

Walnut Pedestal
For easy handling or bench use

Sharpening Stone
No oil or water is necessary



32F



- Application**
- DIY
 - Outdoor
 - Farming
 - Fishing
 - Hospitality
 - Gardening
 - Woodworking
 - Industrial

Size	Description	Grade	Grit	Qty	Item #	Barcode
Bench Stone						
2" x 6"	Fine grit Stone on a Walnut Pedestal	F	600	1	62F	081819006216
2" x 8" x 1/4"	Fine grit Stone	F	600	1	71F	081819007114
2" x 8" x 1/4"	Medium grit Stone	M	400	1	71M	081819007121



Diamond Sharpeners Fixed Angle



Easy clamp on fixed angle kit to ensure proper angle sharpening for perfect results.

Kit includes knife clamp, angle guides, guide rods in a roll pouch. Comes in superfine, fine & medium diamond sharpening stones.



DMD-KIT

Guide Rod

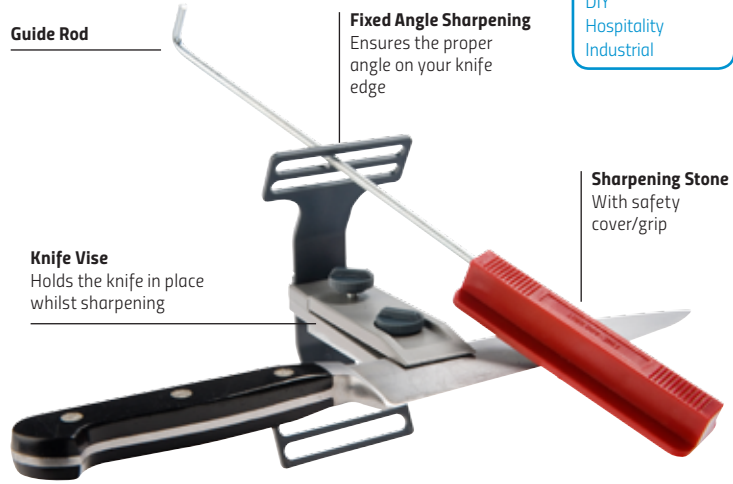
Fixed Angle Sharpening
Ensures the proper angle on your knife edge

Knife Vise
Holds the knife in place whilst sharpening

Application

DIY
Hospitality
Industrial

Sharpening Stone
With safety cover/grip



Description	Grade	Grit	Qty	Item #	Barcode
Fixed Angle Kit					
3 Stone Kit. Includes Super Fine, Fine & Medium Diamond Stones.	SF/F/M	1200/600/400	1	DMD-KIT	081819413403

Diamond Sharpeners Chainsaw



Precision guide for efficient sharpening. Use with any electric drill.

Design to run between 200–5000RPM



CSG 3/16

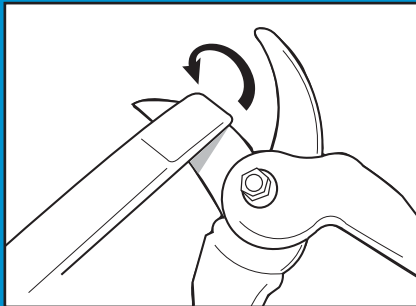


Application

DIY
Outdoor
Farming
Industrial

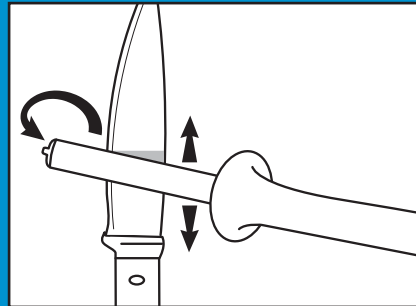
Size	Description	Shank	Qty	Item #	Barcode
Chainsaw files with precision guide					
5/32"	Diamond chainsaw file with precision guide	1/8	1	CSG 5/32	081819700527
3/16"	Diamond chainsaw file with precision guide	1/8	1	CSG 3/16	081819700329
7/32"	Diamond chainsaw file with precision guide	1/8	1	CSG 7/32	081819700725

Diamond Sharpeners How To Use



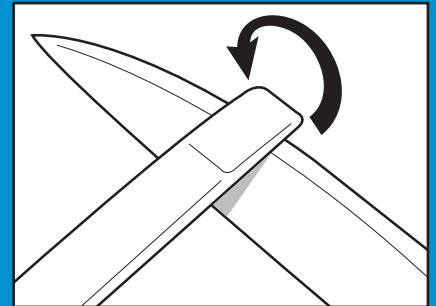
Secateurs - LF

Open your secateurs and locate the ground angled edge. Lay the diamond pad flat on the angle, then raise slightly and rub in small circles along the full length of the blade. Start with a firm pressure then finish lightly. Use and clean regularly.



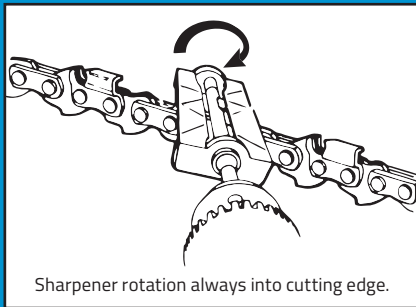
Knives - D5F

Holding your knife steady, lay the diamond shaft flat on the blade, lift slightly (so you are not touching the blade face). Rub in small circles or up and down along the blade length, try keeping the angle the same doing both sides evenly. Start with a firm pressure then finish lightly. Use and clean regularly.



Knives - LF

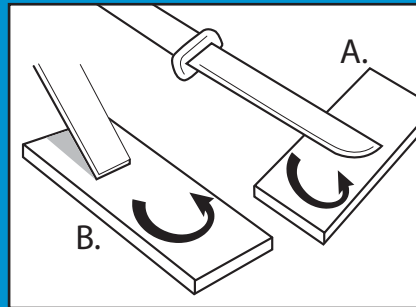
Hold your knife steady, lay the diamond pad flat on the blade, lift slightly (so you're not touching the blade face). Rub in small circles or up and down along the blade keeping the angle the same. Do both sides evenly. Start with a firm pressure then finish lightly. Use and clean regularly.



Diamond Chainsaw Sharpeners - CSG

Put Sharpener and guide on tooth. Align with cutting edge. Start drill motor, hold steadily in place.

Do not oscillate or reciprocate.
Use with standard drill motor.
Apply thumb side pressure to side of guide.
Do not apply side pressure to drill motor.



Knives & Tools - 61F or 72F

- A. Lay your knife flat on the diamond plate, lift slightly (so you're not touching the blade face). Rub in small circles or up and down along the blade length, keeping the angle the same doing both sides evenly. Start with a firm pressure then finish lightly.
- B. Position the ground angle on the plate. Use a circular or up/down action to shape the edge.
Turn blade over flat to hone off any burr and polish.

Sutton Tools NZ Ltd

New Zealand

80A Hunua Rd. Papakura, Auckland, New Zealand, 2110
T 0800 553 236 F 0800 708 677 E sales@suttontools.co.nz

Australia (Head Office)

378 Settlement Road, Thomastown 3074, Victoria Australia
T +61 3 9280 0800 F +61 3 9464 0015

Customer Service

T 1800 335 350 F 1800 333 127 E cservice@sutton.com.au

Special Sales

T 1800 035 010 F 1800 804 084 E specsales@sutton.com.au

www.suttontools.co.nz